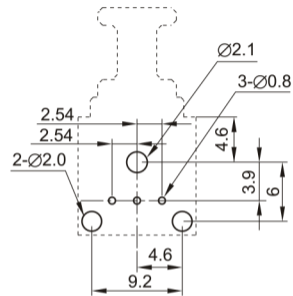
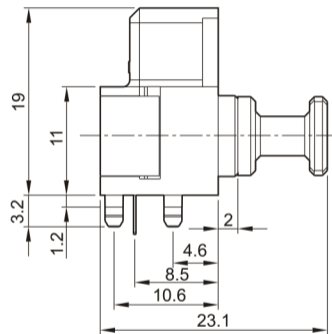
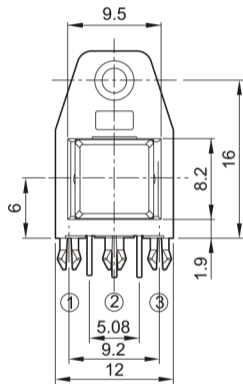


**OC-0802****( With Screw Hole Type )****BOTTOM VIEW**

Transmitter	
Vin	①
Vcc	②
GND	③