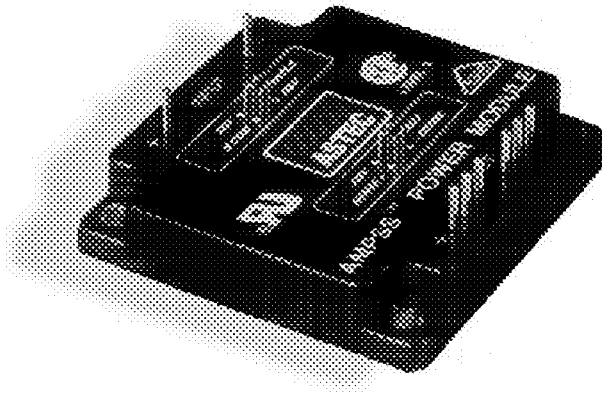


AK60A-75

75 Watts

AK60A-75 Economy Series

Total Power	75 Watts
Input Voltages	24V or 48V
# of Outputs	Single



SPECIAL FEATURES

- High Efficiency - up to 88%
- 500 KHz fixed frequency
- 85°C baseplate operating temperature (with no derating)
- Low output ripple and noise
- Excellent transient response
- High Reliability - over 1 million hours MTBF
- Wide input voltage range
- TTL compatible enable control
- Adjustable output voltage
- Overtemperature and short circuit protection

ENVIRONMENTAL

Operating Temperature (baseplate):
-20°C to +85°C

Storage Temperature: -40°C to +105°C

Overtemperature Protection: 90°C typical

MTBF: > 1 million hours (50°C baseplate)

SAFETY

UL	UL 1950	E182206
CSA	CSA22.2-234	LR53982C
	CSA22.2-950	
VDE	IEC950	
EN	60950	
CE	CE Mark (LVD)	

ELECTRICAL SPECIFICATIONS

Input

Input Range 36 to 72 VDC or 18 to 36 VDC

Efficiency 82% typical (5V @ 15A)
88% typical (12V @ 6.3A)

Control

Voltage Adjust 90 to 110% Vo

Enable TTL compatible (low to enable)

PRI Aux Use with large load capacitance

Output

Load Regulation 0.3% typical down to 10% load

Line Regulation 0.1% typical

Noise/Ripple 100 mV typical (output below 5V)
2% typical (output 5V and over)

Remote sense Up to 0.5V

Output Voltage

Adjust Range ±10% of nominal output

Transient Response 10% max deviation with 500µs
(25-75% full load) recovery

Overvoltage Protection 130% nominal Vo

Current Limit 115% Io max

NOTES

Nominal values apply with sense pins connected and other control pins unconnected.

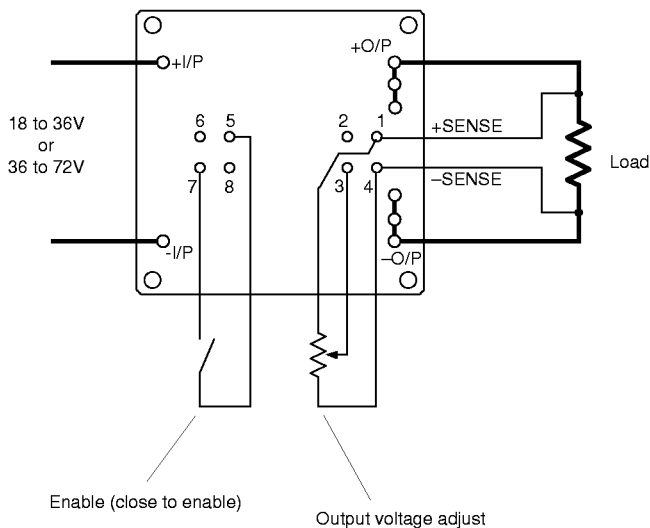
Specifications subject to change without notice.

ORDERING INFORMATION

Input Voltage	Output Voltage	Output Current	Model Number	Input Voltage	Output Voltage	Output Current	Model Number
48V	5V	15A	AK60A-048L-050F15	24V	5V	15A	AK60A-024L-050F15
48V	12V	6.3A	AK60A-048L-120F06	24V	12V	6.3A	AK60A-024L-120F06
48V	15V	5A	AK60A-048L-150F05	24V	15V	5A	AK60A-024L-150F05
				24V	24V	3A	AK60A-024L-240F03

Please contact Astec for information on other output voltages, power ranges and configurations.

CONNECTIONS



PIN ASSIGNMENT

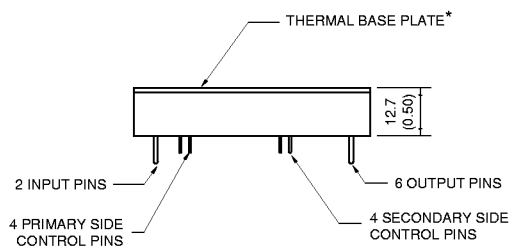
Input	Output	Control Pins
31. +ve	} +ve	1. +SENSE
32. -ve		2. RSV
		3. V ADJ
	} -ve	4. -SENSE
		5. S COM
		6. PRI-AUX
		7. ENABLE
		8. CLK-IN

Secondary side controls

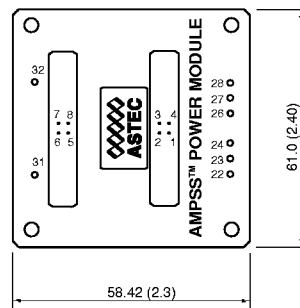
Primary side controls

AK60A-75

DIMENSIONS



*Must be connected to protective earth



Viewed from pins side. Dimensions in mm (inches)