

LAN Components

10/100BASE-TX

Pulse Transformers

TLA-6T102/103/106/107/109/110/111/112/115/116/117/
118/119/120/121/122/124/401/402/403/404/405

TLA-6T102

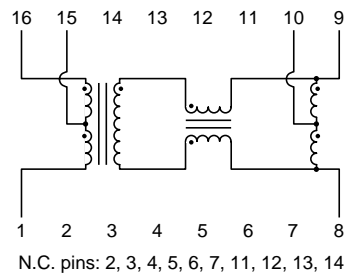
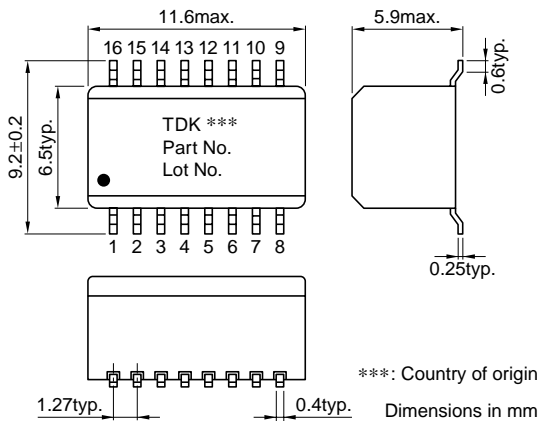
FEATURES

- 16-pin SOP package(1.27mm=50mil pin pitch).
- Excellent common-mode noise suppression.
- Greater than 350 μ H[100kHz] at DC current bias 8mA.
- Using the high-quality and wide-band ferrite cores for LAN.
- Suitable for use with NS's DP83843, MICRO LINEAR's ML6673, 6674, ICS's ICS1890, TSC's 78Q2120.
- Tape and reel packaging are available(TLA-6T102-T: Tape and reel, TLA-6T102: Bulk).
- ISO9001/QS9000 quality standards certification.

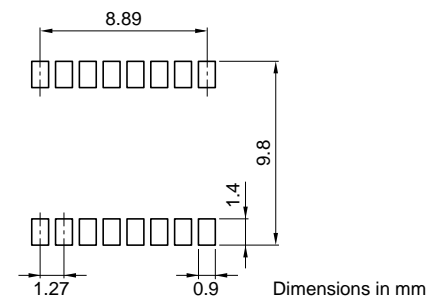
GENERAL SPECIFICATIONS

Pulse transformer	1
Common-mode choke	1
Inductor	1
Port	1/2
Operating temperature range	0 to +70°C
Storage temperature range	-40 to +85°C
Withstanding voltage	Erms:1500V[60s]

SHAPES AND DIMENSIONS/CIRCUIT DIAGRAM



RECOMMENDED PC BOARD PATTERN



ELECTRICAL CHARACTERISTICS

Part No.	Turns ratio	Insertion loss (dB)max. [0.1 to 100MHz]	C.M.R.R.(dB)min. [Common to Differential]	Inter-winding stray capacitance (pF)max.[100kHz]
TLA-6T102(-T)	1,15,16 : 8,10,9	1,16-8,9	1,16-8,9	1,16-8,9
	1CT:1CT	1	45[0.1 to 60MHz] 43[60 to 100MHz]	15

- Ta=25°C

LAN Components

10/100BASE-TX

Pulse Transformers

TLA-6T102/103/106/107/109/110/111/112/115/116/117/
118/119/120/121/122/124/401/402/403/404/405

TLA-6T103

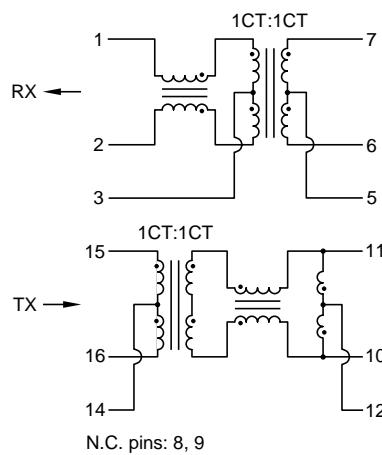
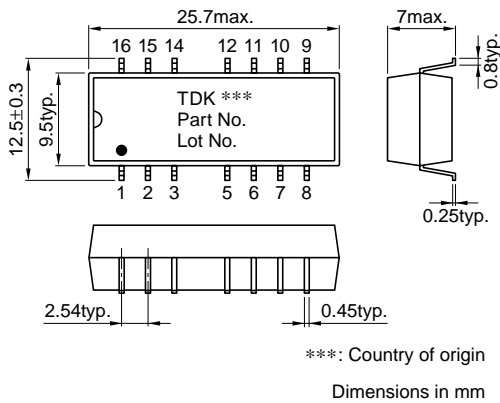
FEATURES

- 16-pin SOP package(2.54mm=100mil pin pitch).
- Excellent common-mode noise suppression.
- Greater than 350 μ H[100kHz] at DC current bias 8mA.
- Using the high-quality and wide-band ferrite cores for LAN.
- Suitable for use with NS's DP83843, LEVEL ONE's LXT970A, MICRO LINEAR's ML6673, 6674, ICS's ICS1890, TSC's 78Q2120.
- Tape and reel packaging are available(TLA-6T103-T: Tape and reel, TLA-6T103: Bulk).
- ISO9001/QS9000 quality standards certification.

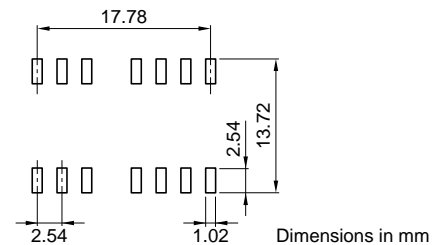
GENERAL SPECIFICATIONS

Pulse transformer	2
Common-mode choke	2
Inductor	1
Port	1
Operating temperature range	0 to +70°C
Storage temperature range	-40 to +85°C
Withstanding voltage	Erms:1500V[60s]

SHAPES AND DIMENSIONS/CIRCUIT DIAGRAM



RECOMMENDED PC BOARD PATTERN



ELECTRICAL CHARACTERISTICS

Part No.	Turns ratio	Insertion loss (dB)max.	C.M.R.R.(dB)min. [Common to Differential]	Inter-winding stray capacitance (pF)max.[100kHz]
	15,14,16 : 11,12,10 1,3,2 : 7,5,6	[0.1 to 100MHz] 15,16-11,10 7,6-1,2	[0.1 to 60/60 to 100MHz] 15,16-11,10 7,6-1,2	15,16-11,10 1,2-7,6
TLA-6T103(-T)	1CT:1CT 1CT:1CT	1 1	45/43 40/38	18 18

- Ta=25°C

LAN Components

10/100BASE-TX

Pulse Transformers

TLA-6T102/103/106/107/109/110/111/112/115/116/117/
118/119/120/121/122/124/401/402/403/404/405

TLA-6T106/111

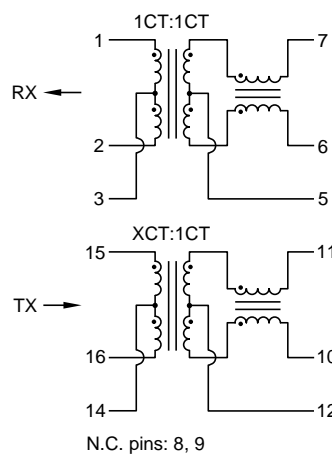
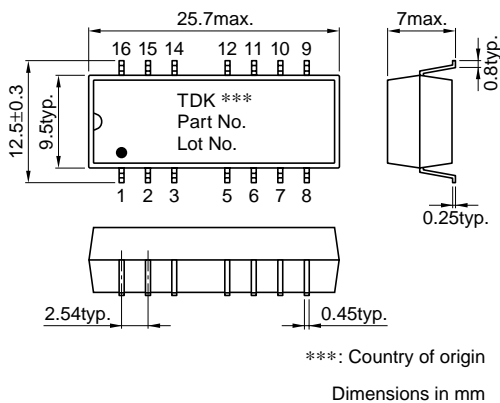
FEATURES

- 16-pin SOP package(2.54mm=100mil pin pitch).
- Excellent common-mode noise suppression.
- Using the high-quality and wide-band ferrite cores for LAN.
- TLA-6T106 is suitable for use with QSI's QS6611.
- TLA-6T111 is suitable for use with QSI's QS6612.
- Tape and reel packaging are available(TLA-6T1□□-T: Tape and reel, TLA-6T1 □□: Bulk).
- ISO9001/QS9000 quality standards certification.

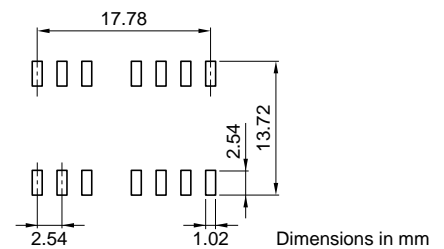
GENERAL SPECIFICATIONS

Pulse transformer	2
Common-mode choke	2
Port	1
Operating temperature range	0 to +70°C
Storage temperature range	-40 to +85°C
Withstanding voltage	Erms:1500V[60s]

SHAPES AND DIMENSIONS/CIRCUIT DIAGRAM



RECOMMENDED PC BOARD PATTERN



ELECTRICAL CHARACTERISTICS

Part No.	Turns ratio	Inductance (μ H)min. [DC bias 8mA, 100kHz]	Insertion loss (dB)max. [0.1 to 100MHz]	Inter-winding stray capacitance (pF)max.[100kHz]
	16,14,15 : 10,12,11 1,3,2 : 7,5,6	10-11 7-6	16,15-10,11 7,6-1,2	16,15-10,11 1,2-7,6
TLA-6T106(-T)	1.41CT:1CT 1CT:1CT	350 350	2 1	25 25
TLA-6T111(-T)	1.25CT:1CT 1CT:1CT	350 350	2 1	25 25

- Ta=25°C

LAN Components

10/100BASE-TX

Pulse Transformers

TLA-6T102/103/106/107/109/110/111/112/115/116/117/
118/119/120/121/122/124/401/402/403/404/405

TLA-6T107

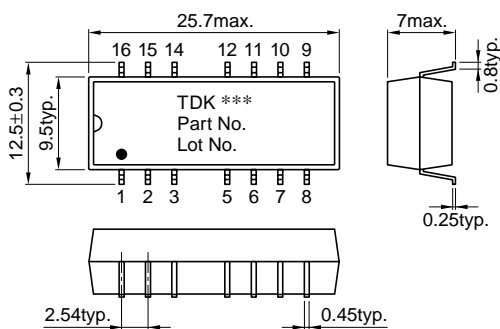
FEATURES

- 16-pin SOP package(2.54mm=100mil pin pitch).
- Excellent common-mode noise suppression.
- Using the high-quality and wide-band ferrite cores for LAN.
- Suitable for use with LSI LOGIC's 80220/80221.
- Tape and reel packaging are available(TLA-6T107-T: Tape and reel, TLA-6T107: Bulk).
- ISO9001/QS9000 quality standards certification.

GENERAL SPECIFICATIONS

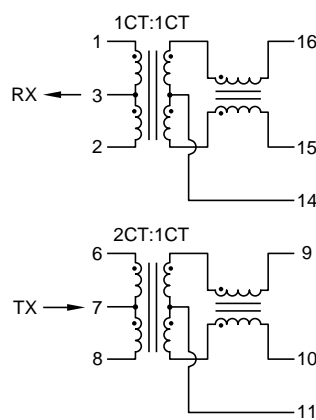
Pulse transformer	2
Common-mode choke	2
Port	1
Operating temperature range	0 to +70°C
Storage temperature range	-40 to +85°C
Withstanding voltage	Erms:1500V[60s]

SHAPES AND DIMENSIONS/CIRCUIT DIAGRAM



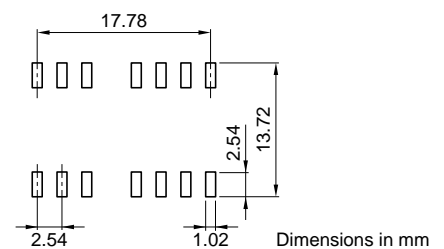
***: Country of origin

Dimensions in mm



N.C. pins: 5, 12

RECOMMENDED PC BOARD PATTERN



ELECTRICAL CHARACTERISTICS

Part No.	Turns ratio	Inductance (μ H)min. [DC bias 8mA, 100kHz]	Insertion loss (dB)max. [0.1 to 100MHz]	Inter-winding stray capacitance (pF)max.[100kHz]
	6,7,8 : 9,11,10 1,3,2 : 16,14,15	9-10 16-15	6,8-9,10 16,15-1,2	6,8-9,10 1,2-16,15
TLA-6T107(-T)	2CT:1CT 1CT:1CT	350 350	3.5 1	25 25

- $T_a=25^\circ\text{C}$

LAN Components

10/100BASE-TX

Pulse Transformers

TLA-6T102/103/106/107/109/110/111/112/115/116/117/
118/119/120/121/122/124/401/402/403/404/405

TLA-6T109/112

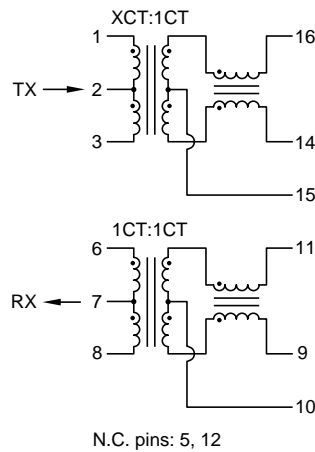
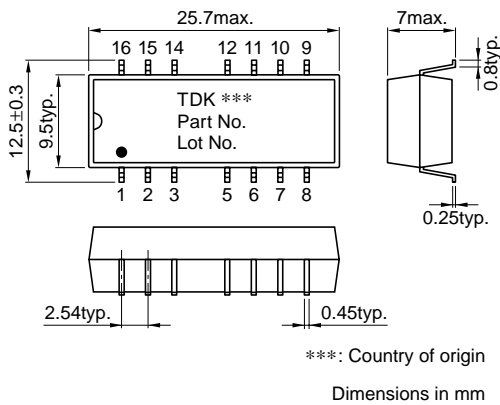
FEATURES

- 16-pin SOP package(2.54mm=100mil pin pitch).
- Excellent common-mode noise suppression.
- Using the high-quality and wide-band ferrite cores for LAN.
- TLA-6T109 is suitable for use with QSI's QS6611.
- TLA-6T112 is suitable for use with QSI's QS6612.
- Tape and reel packaging are available(TLA-6T1□□-T: Tape and reel, TLA-6T1 □□: Bulk).
- ISO9001/QS9000 quality standards certification.

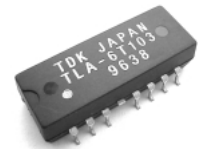
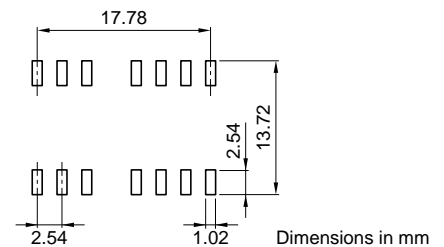
GENERAL SPECIFICATIONS

Pulse transformer	2
Common-mode choke	2
Port	1
Operating temperature range	0 to +70°C
Storage temperature range	-40 to +85°C
Withstanding voltage	Erms:1500V[60s]

SHAPES AND DIMENSIONS/CIRCUIT DIAGRAM



RECOMMENDED PC BOARD PATTERN



ELECTRICAL CHARACTERISTICS

Part No.	Turns ratio	Inductance (μ H)min. [DC bias 8mA, 100kHz]	Insertion loss (dB)max. [0.1 to 100MHz]	Inter-winding stray capacitance (pF)max.[100kHz]
TLA-6T109(-T)	1,2,3 : 16,15,14	16-14	1,3-16,14	1,3-16,14
	6,7,8 : 11,10,9	11-9	11,9-6,8	6,8-11,9
	1.41CT:1CT	350	2	25
TLA-6T112(-T)	1CT:1CT	350	1	25
	1.25CT:1CT	350	2	25
	1CT:1CT	350	1	25

- $T_a=25^\circ\text{C}$

LAN Components

10/100BASE-TX

Pulse Transformers

TLA-6T102/103/106/107/109/110/111/112/115/116/117/
118/119/120/121/122/124/401/402/403/404/405

TLA-6T110

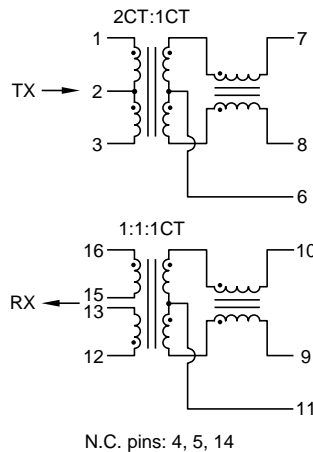
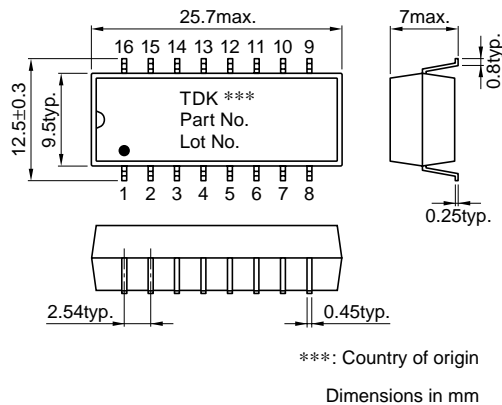
FEATURES

- 16-pin SOP package(2.54mm=100mil pin pitch).
- Excellent common-mode noise suppression.
- Using the high-quality and wide-band ferrite cores for LAN.
- Suitable for use with MICRO LINEAR's ML6694(MICRO LINEAR recommends).
- Tape and reel packaging are available(TLA-6T110-T: Tape and reel, TLA-6T110: Bulk).
- ISO9001/QS9000 quality standards certification.

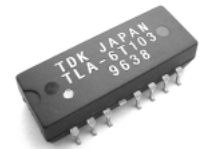
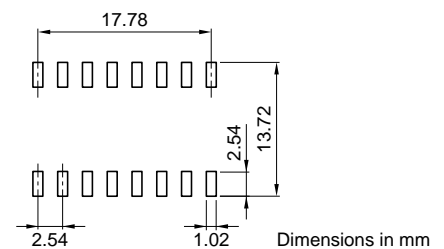
GENERAL SPECIFICATIONS

Pulse transformer	2
Common-mode choke	2
Port	1
Operating temperature range	0 to +70°C
Storage temperature range	-40 to +85°C
Withstanding voltage	Erms:1500V[60s]

SHAPES AND DIMENSIONS/CIRCUIT DIAGRAM



RECOMMENDED PC BOARD PATTERN



ELECTRICAL CHARACTERISTICS

Part No.	Turns ratio	Inductance (μ H)min. [DC bias 8mA, 100kHz]	Insertion loss (dB)max. [0.1 to 100MHz]	Inter-winding stray capacitance (pF)max.[100kHz]
	1,2,3 : 7,6,8 16,15:12,13:10,11,9	7-8 10-9	1,3-7,8 10,9-16,15[12,13]	1,3-7,8 16,15[12,13]-10,9
TLA-6T110(-T)	2CT:1CT 1:1:1CT	350 350	3.5 1	25 20

- Ta=25°C

LAN Components

10/100BASE-TX

Pulse Transformers

TLA-6T102/103/106/107/109/110/111/112/115/116/117/
118/119/120/121/122/124/401/402/403/404/405

TLA-6T115/124

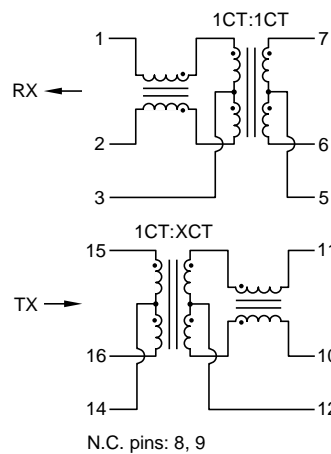
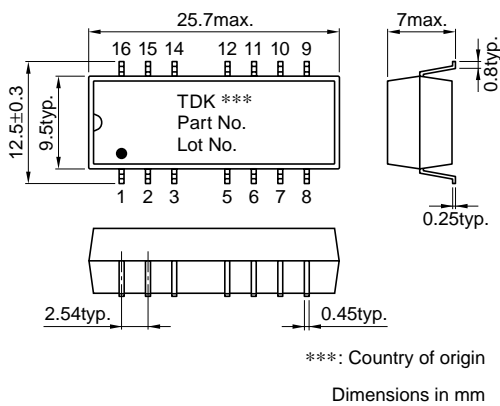
FEATURES

- 16-pin SOP package(2.54mm=100mil pin pitch).
- Excellent common-mode noise suppression.
- Using the high-quality and wide-band ferrite cores for LAN.
- TLA-6T115 is suitable for use with NS's DP83843, MICRO LIN-EAR's ML6673, 6674, ICS's ICS1890, TSC's 78Q2120.
- TLA-6T124 is suitable for use with AMD's Am79C973, 975.
- Tape and reel packaging are available(TLA-6T1□□-T: Tape and reel, TLA-6T1 □□: Bulk).
- ISO9001/QS9000 quality standards certification.

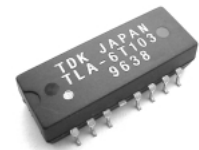
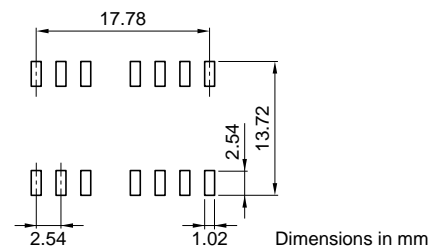
GENERAL SPECIFICATIONS

Pulse transformer	2
Common-mode choke	2
Port	1
Operating temperature range	0 to +70°C
Storage temperature range	-40 to +85°C
Withstanding voltage	Erms:1500V[60s]

SHAPES AND DIMENSIONS/CIRCUIT DIAGRAM



RECOMMENDED PC BOARD PATTERN



ELECTRICAL CHARACTERISTICS

Part No.	Turns ratio	Inductance (μ H)min. [DC bias 8mA, 100kHz]	Insertion loss (dB)max. [0.1 to 100MHz]	Inter-winding stray capacitance (pF)max.[100kHz]
	15,14,16 : 11,12,10 1,3,2 : 7,5,6	11-10 7-6	15,16-11,10 7,6-1,2	15,16-11,10 1,2-7,6
TLA-6T115(-T)	1CT:1CT	350	1	18
	1CT:1CT	350	1	18
TLA-6T124(-T)	1CT:1.41CT	350	2	25
	1CT:1CT	350	1	25

- Ta=25°C

LAN Components

10/100BASE-TX

Pulse Transformers

TLA-6T102/103/106/107/109/110/111/112/115/116/117/
118/119/120/121/122/124/401/402/403/404/405

TLA-6T116

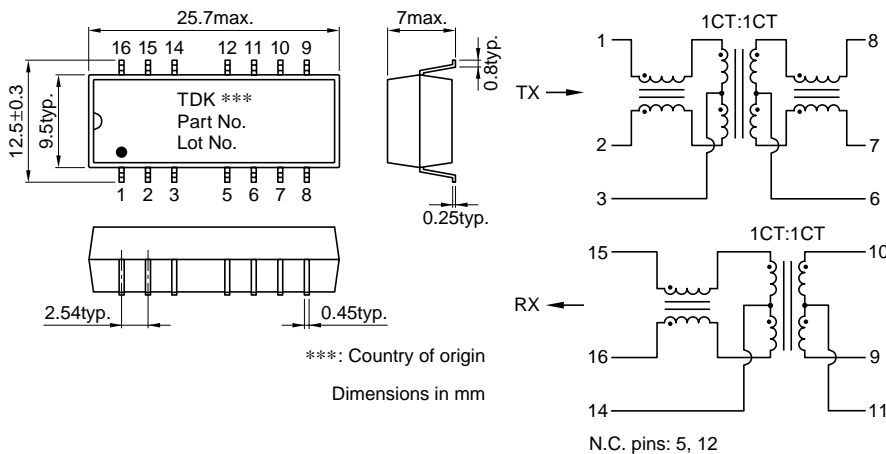
FEATURES

- 16-pin SOP package(2.54mm=100mil pin pitch).
- Excellent common-mode noise suppression.
- Using the high-quality and wide-band ferrite cores for LAN.
- Suitable for use with NS's DP83843, MICRO LINEAR's ML6673, 6674, ICS's ICS1890, TSC's 78Q2120.
- Tape and reel packaging are available(TLA-6T116-T: Tape and reel, TLA-6T116: Bulk).
- ISO9001/QS9000 quality standards certification.

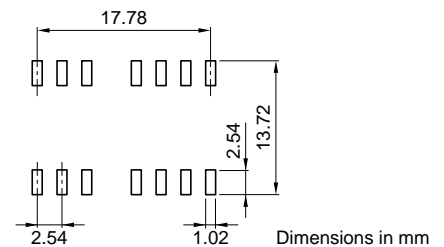
GENERAL SPECIFICATIONS

Pulse transformer	2
Common-mode choke	3
Port	1
Operating temperature range	0 to +70°C
Storage temperature range	-40 to +85°C
Withstanding voltage	Erms:1500V[60s]

SHAPES AND DIMENSIONS/CIRCUIT DIAGRAM



RECOMMENDED PC BOARD PATTERN



ELECTRICAL CHARACTERISTICS

Part No.	Turns ratio	Inductance (μ H)min. [DC bias 8mA, 100kHz]	Insertion loss (dB)max. [0.1 to 100MHz]	Inter-winding stray capacitance (pF)max.[100kHz]
	1,3,2 : 8,6,7	7-8	1,2-8,7	1,2-8,7
	16,14,15: 9,11,10	9-10	9,10-16,15	16,15-9,10
TLA-6T116(-T)	1CT:1CT	350	1	25
	1CT:1CT	350	1	25

- Ta=25°C

LAN Components

10/100BASE-TX

Pulse Transformers

TLA-6T102/103/106/107/109/110/111/112/115/116/117/
118/119/120/121/122/124/401/402/403/404/405

TLA-6T117

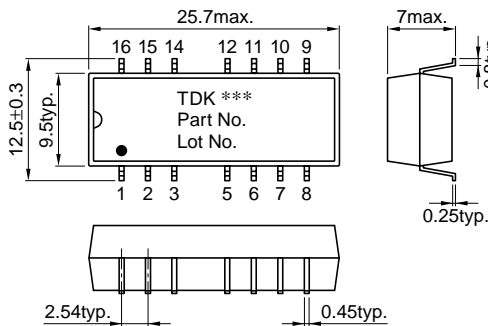
FEATURES

- 16-pin SOP package(2.54mm=100mil pin pitch).
- Excellent common-mode noise suppression.
- Using the high-quality and wide-band ferrite cores for LAN.
- Suitable for use with NS's DP83843, MICRO LINEAR's ML6673, 6674, ICS's ICS1890, TSC's 78Q2120.
- Tape and reel packaging are available(TLA-6T117-T: Tape and reel, TLA-6T117: Bulk).
- ISO9001/QS9000 quality standards certification.

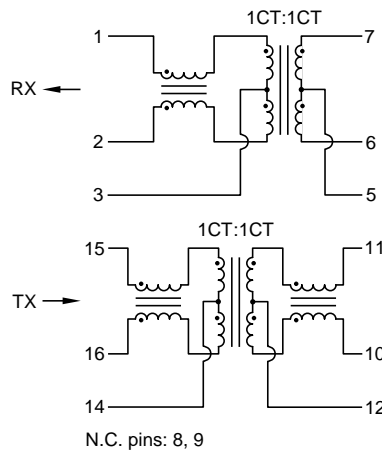
GENERAL SPECIFICATIONS

Pulse transformer	2
Common-mode choke	3
Port	1
Operating temperature range	0 to +70°C
Storage temperature range	-40 to +85°C
Withstanding voltage	Erms:1500V[60s]

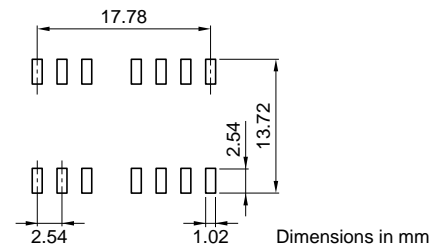
SHAPES AND DIMENSIONS/CIRCUIT DIAGRAM



***: Country of origin
Dimensions in mm



RECOMMENDED PC BOARD PATTERN



Dimensions in mm



ELECTRICAL CHARACTERISTICS

Part No.	Turns ratio	Inductance (μ H)min. [DC bias 8mA, 100kHz]	Insertion loss (dB)max. [0.1 to 100MHz]	Inter-winding stray capacitance (pF)max.[100kHz]
	15,14,16 : 11,12,10 1,3,2: 7,5,6	11-10 7-6	15,16-11,10 7,6-1,2	15,16-11,10 1,2-7,6
TLA-6T117(-T)	1CT:1CT	350	1	25
	1CT:1CT	350	1	25

- Ta=25°C

LAN Components

10/100BASE-TX

Pulse Transformers

TLA-6T102/103/106/107/109/110/111/112/115/116/117/
118/119/120/121/122/124/401/402/403/404/405

TLA-6T118/119/120/121/122

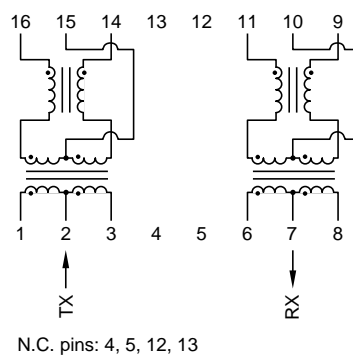
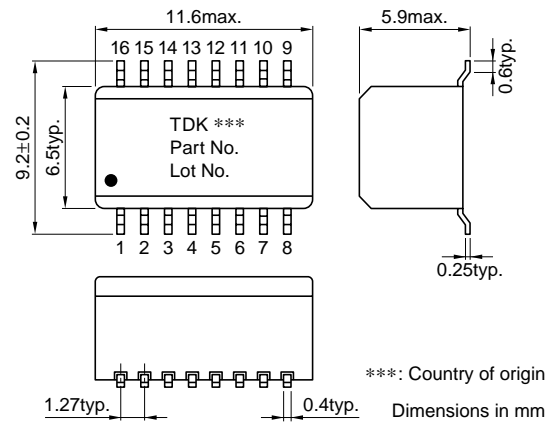
FEATURES

- 16-pin SOP package(1.27mm=50mil pin pitch).
- TLA-6T118 is suitable for use with NS's DP83843, TSC's 78Q2120, MICRO LINEAR's ML6673, 6674, ICS's ICS1890.
- TLA-6T119 is suitable for use with QSI's QS6611.
- TLA-6T120 is suitable for use with LSI LOGIC's 80220, 80221.
- TLA-6T121 is suitable for use with ADM's Am79C973, 975.
- TLA-6T122 is suitable for use with QSI's QS6612.
- Tape and reel packaging are available(TLA-6T1□□-T: Tape and reel, TLA-6T1 □□: Bulk).
- ISO9001/QS9000 quality standards certification.

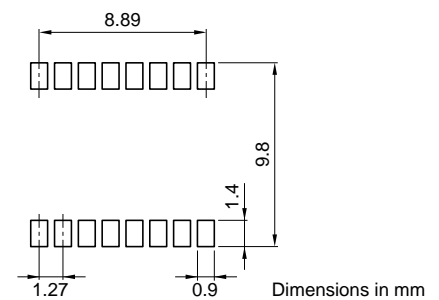
GENERAL SPECIFICATIONS

Pulse transformer	2
Common-mode choke	2
Port	1
Operating temperature range	0 to +70°C
Storage temperature range	-40 to +85°C
Withstanding voltage	Erms:1500V[60s]

SHAPES AND DIMENSIONS/CIRCUIT DIAGRAM



RECOMMENDED PC BOARD PATTERN



ELECTRICAL CHARACTERISTICS

Part No.	Turns ratio	Inductance (μ H)min. [DC bias 8mA, 100kHz]	Insertion loss (dB)max. [0.1 to 100MHz]	Inter-winding stray capacitance (pF)max.[100kHz]
	1,2,3 : 16,15,14 6,7,8 : 11,10,9	16-14 11-9	1,3-16,14 11,9-6,8	1,3-16,14 6,8-11,9
TLA-6T118(-T)	1CT:1CT	350	1	25
TLA-6T119(-T)	1.41CT:1CT	350	2	25
TLA-6T120(-T)	2CT:1CT	350	3.5	25
TLA-6T121(-T)	1CT:1.41CT	350	2.5	25
TLA-6T122(-T)	1.25CT:1CT	350	2	25
	1CT:1CT	350	1	25

- $T_a=25^\circ\text{C}$

LAN Components

10/100BASE-TX

Pulse Transformers

TLA-6T102/103/106/107/109/110/111/112/115/116/117/
118/119/120/121/122/124/401/402/403/404/405

TLA-6T401

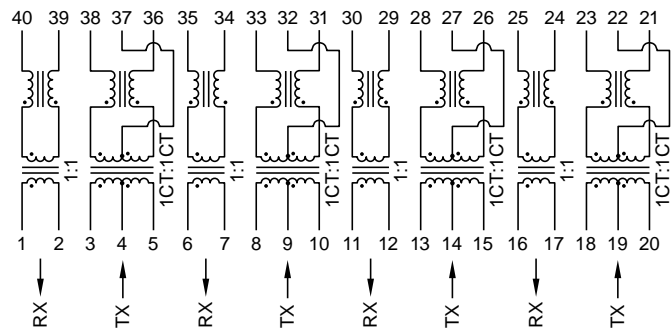
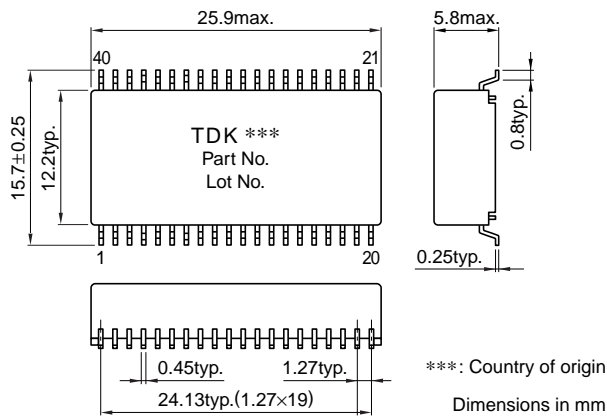
FEATURES

- 40-pin SOP package(1.27mm=50mil pin pitch) for Quad port.
- Excellent common-mode noise suppression.
- Using the high-quality and wide-band ferrite cores for LAN.
- High reliability for reflow process.
- Excellent pin planarity.
- Tape and reel packaging are available(TLA-6T401-T: Tape and reel, TLA-6T401: Bulk).
- ISO9001/QS9000 quality standards certification.

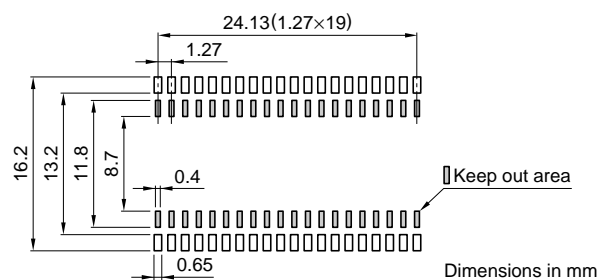
GENERAL SPECIFICATIONS

Pulse transformer	8
Common-mode choke	8
Port	4
Operating temperature range	0 to +70°C
Storage temperature range	-40 to +85°C
Withstanding voltage	Erms:1500V[60s]

SHAPES AND DIMENSIONS/CIRCUIT DIAGRAM



RECOMMENDED PC BOARD PATTERN



ELECTRICAL CHARACTERISTICS

Part No.	Turns ratio	Inductance (μ H)min. [DC bias 8mA, 100kHz]	Insertion loss (dB)max. [0.1 to 100MHz]	Inter-winding stray capacitance (pF)max.[100kHz]
	3,4,5 : 38,37,36,..... 1,2: 40,39,.....	38-36,..... 40-39,.....	3,5-38,36,..... 40,39-1,2,.....	3,5-38,36,..... 1,2-40,39,.....
TLA-6T401(-T)	1CT:1CT 1:1	350 350	1 1	25 25

- Ta=25°C



LAN Components

10/100BASE-TX

Pulse Transformers

TLA-6T102/103/106/107/109/110/111/112/115/116/117/
118/119/120/121/122/124/401/402/403/404/405

TLA-6T402

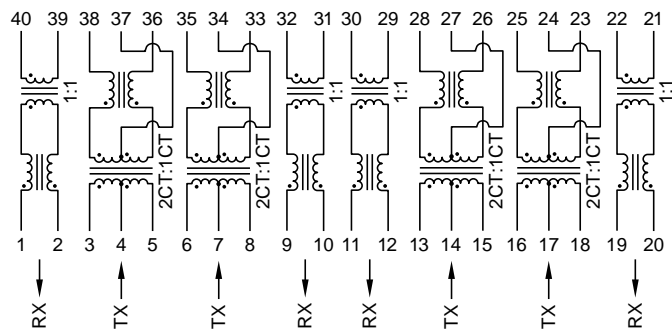
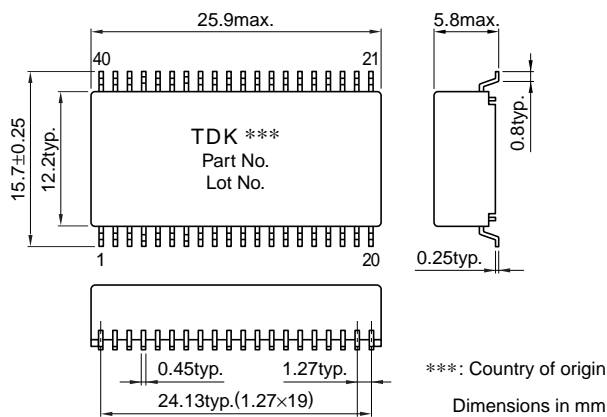
FEATURES

- 40-pin SOP package(1.27mm=50mil pin pitch) for Quad port.
- Excellent common-mode noise suppression.
- Using the high-quality and wide-band ferrite cores for LAN.
- High reliability for reflow process.
- Excellent pin planarity.
- Suitable for use with LEVEL ONE's LXT974A, 975A, 980, 983.
- Tape and reel packaging are available(TLA-6T402-T: Tape and reel, TLA-6T402: Bulk).
- ISO9001/QS9000 quality standards certification.

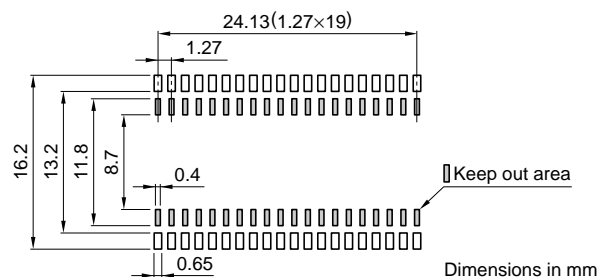
GENERAL SPECIFICATIONS

Pulse transformer	8
Common-mode choke	8
Port	4
Operating temperature range	0 to +70°C
Storage temperature range	-40 to +85°C
Withstanding voltage	Erms:1500V[60s]

SHAPES AND DIMENSIONS/CIRCUIT DIAGRAM



RECOMMENDED PC BOARD PATTERN



ELECTRICAL CHARACTERISTICS

Part No.	Turns ratio	Inductance (μ H)min. [DC bias 8mA, 100kHz]	Insertion loss (dB)max. [0.1 to 100MHz]	Inter-winding stray capacitance (pF)max.[100kHz]
	3,4,5 : 38,37,36,..... 1,2: 40,39,.....	38-36,..... 40-39,.....	3,5-38,36,..... 40,39-1,2,.....	3,5-38,36,..... 1,2-40,39,.....
TLA-6T402(-T)	2CT:1CT 1:1	350 350	3.5 1	25 25

- $T_a=25^\circ\text{C}$



LAN Components

10/100BASE-TX

Pulse Transformers

TLA-6T102/103/106/107/109/110/111/112/115/116/117/
118/119/120/121/122/124/401/402/403/404/405

TLA-6T403

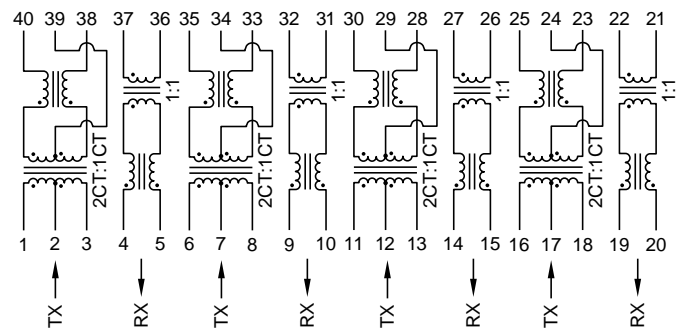
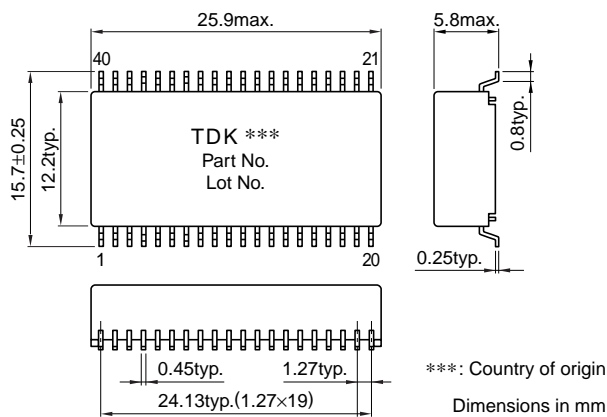
FEATURES

- 40-pin SOP package(1.27mm=50mil pin pitch) for Quad port.
- Excellent common-mode noise suppression.
- Using the high-quality and wide-band ferrite cores for LAN.
- High reliability for reflow process.
- Excellent pin planarity.
- Suitable for use with LEVEL ONE's LXT974A, 975A, 980, 983.
- Tape and reel packaging are available(TLA-6T403-T: Tape and reel, TLA-6T403: Bulk).
- ISO9001/QS9000 quality standards certification.

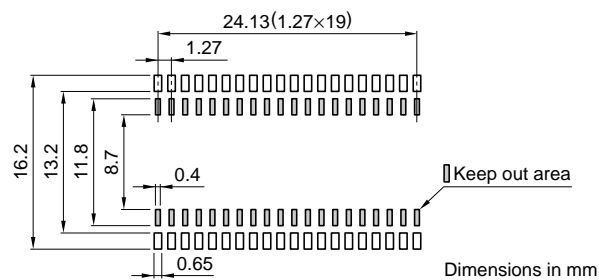
GENERAL SPECIFICATIONS

Pulse transformer	8
Common-mode choke	8
Port	4
Operating temperature range	0 to +70°C
Storage temperature range	-40 to +85°C
Withstanding voltage	Erms:1500V[60s]

SHAPES AND DIMENSIONS/CIRCUIT DIAGRAM



RECOMMENDED PC BOARD PATTERN



ELECTRICAL CHARACTERISTICS

Part No.	Turns ratio	Inductance (μ H)min. [DC bias 8mA, 100kHz]	Insertion loss (dB)max. [0.1 to 100MHz]	Inter-winding stray capacitance (pF)max.[100kHz]
	1,2,3 : 40,39,38,..... 4,5: 37,36,.....	40-38,..... 37-36,.....	1,3-40,38,..... 37,36-4,5,.....	1,3-40,38,..... 4,5-37,36,.....
TLA-6T403(-T)	2CT:1CT 1:1	350 350	3.5 1	25 25

- $T_a=25^\circ\text{C}$



LAN Components

10/100BASE-TX

Pulse Transformers

TLA-6T102/103/106/107/109/110/111/112/115/116/117/
118/119/120/121/122/124/401/402/403/404/405

TLA-6T404

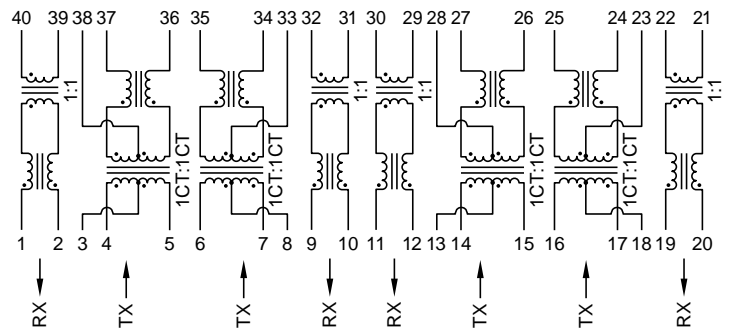
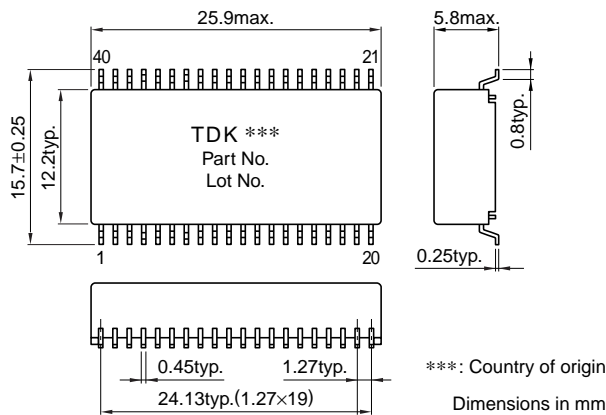
FEATURES

- 40-pin SOP package(1.27mm=50mil pin pitch) for Quad port.
- Excellent common-mode noise suppression.
- Using the high-quality and wide-band ferrite cores for LAN.
- High reliability for reflow process.
- Excellent pin planarity.
- Suitable for use with BROADCOM's BCM5208, 5203.
- Tape and reel packaging are available(TLA-6T404-T: Tape and reel, TLA-6T404: Bulk).
- ISO9001/QS9000 quality standards certification.

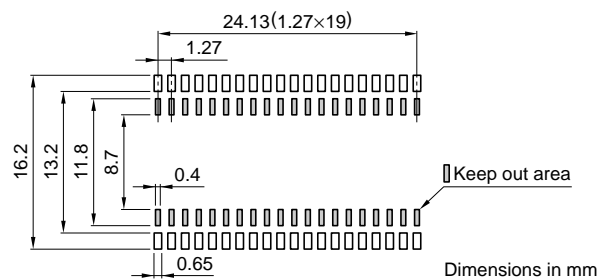
GENERAL SPECIFICATIONS

Pulse transformer	8
Common-mode choke	8
Port	4
Operating temperature range	0 to +70°C
Storage temperature range	-40 to +85°C
Withstanding voltage	Erms:1500V[60s]

SHAPES AND DIMENSIONS/CIRCUIT DIAGRAM



RECOMMENDED PC BOARD PATTERN



ELECTRICAL CHARACTERISTICS

Part No.	Turns ratio	Inductance (μ H)min. [DC bias 8mA, 100kHz]	Insertion loss (dB)max. [0.1 to 100MHz]	Inter-winding stray capacitance (pF)max.[100kHz]
	4,3,5 : 37,38,36,..... 1,2: 40,39,.....	37-36,..... 40-39,.....	4,5-37,36,..... 40,39-1,2,.....	4,5-37,36,..... 1,2-40,39,.....
TLA-6T404(-T)	1CT:1CT 1:1	350 350	1 1	25 25

- $T_a=25^\circ\text{C}$



LAN Components

10/100BASE-TX

Pulse Transformers

TLA-6T102/103/106/107/109/110/111/112/115/116/117/
118/119/120/121/122/124/401/402/403/404/405

TLA-6T405

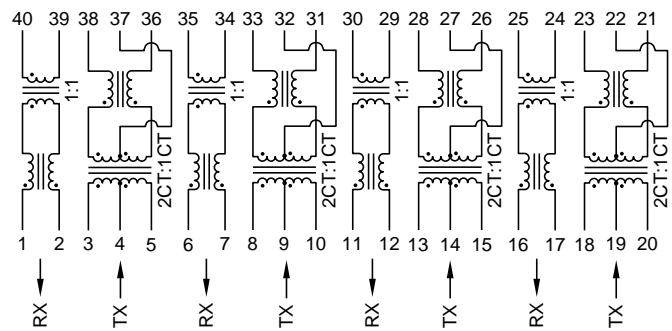
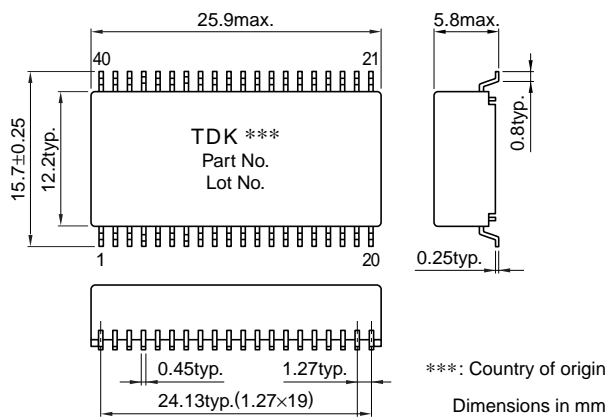
FEATURES

- 40-pin SOP package(1.27mm=50mil pin pitch) for Quad port.
- Excellent common-mode noise suppression.
- Using the high-quality and wide-band ferrite cores for LAN.
- High reliability for reflow process.
- Excellent pin planarity.
- Suitable for use with LEVEL ONE's LXT974A, 975A, 980, 983.
- Tape and reel packaging are available(TLA-6T405-T: Tape and reel, TLA-6T405: Bulk).
- ISO9001/QS9000 quality standards certification.

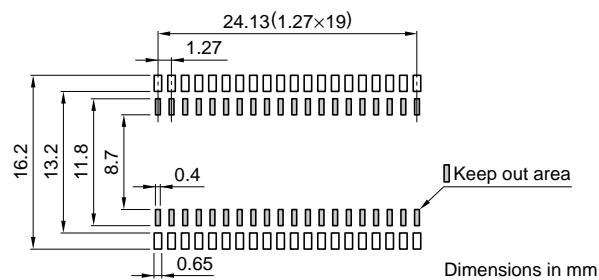
GENERAL SPECIFICATIONS

Pulse transformer	8
Common-mode choke	8
Port	4
Operating temperature range	0 to +70°C
Storage temperature range	-40 to +85°C
Withstanding voltage	Erms:1500V[60s]

SHAPES AND DIMENSIONS/CIRCUIT DIAGRAM



RECOMMENDED PC BOARD PATTERN



ELECTRICAL CHARACTERISTICS

Part No.	Turns ratio	Inductance (μ H)min. [DC bias 8mA, 100kHz]	Insertion loss (dB)max. [0.1 to 100MHz]	Inter-winding stray capacitance (pF)max.[100kHz]
	3,4,5 : 38,37,36,..... 1,2: 40,39,.....	38-36,..... 40-39,.....	3,5-38,36,..... 40,39-1,2,.....	3,5-38,36,..... 1,2-40,39,.....
TLA-6T405(-T)	2CT:1CT 1:1	350 350	3.5 1	25 25

- $T_a=25^\circ\text{C}$



LAN Components

10/100BASE-TX

Pulse Transformers

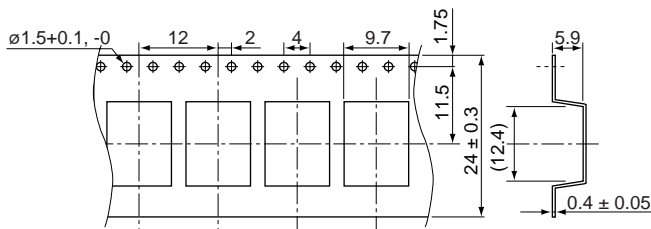
TLA-6T102/103/106/107/109/110/111/112/115/116/117/
118/119/120/121/122/124/401/402/403/404/405

TLA-6T102-T/118-T/119-T/120-T/121-T/122-T

PACKAGING STYLES

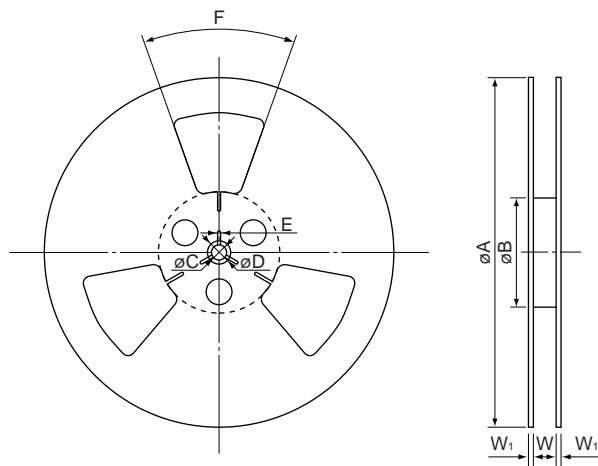
Quantity : 1000pieces/reel

TAPE DIMENSIONS



Dimensions in mm

REEL DIMENSIONS

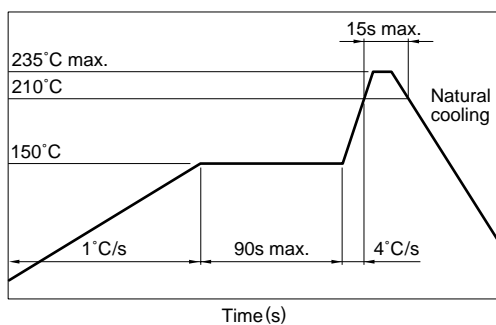


Dimensions in mm

A	B	C	D	E	F	W	W ₁
$\phi 330 \pm 2$	$\phi 80 \pm 1$	$\phi 13.5 \pm 0.2$	$\phi 21 \pm 0.8$	2 ± 0.5	$3-40^\circ$	$24.4+2, -0$	2 ± 0.5

RECOMMENDED SOLDERING CONDITION

REFLOW SOLDERING



- Temperature is measured on the top of products body(Using thermocoupler for measurement).
- This profile is reference data we recommend. Please check in your actual process.

LAN Components

10/100BASE-TX

Pulse Transformers

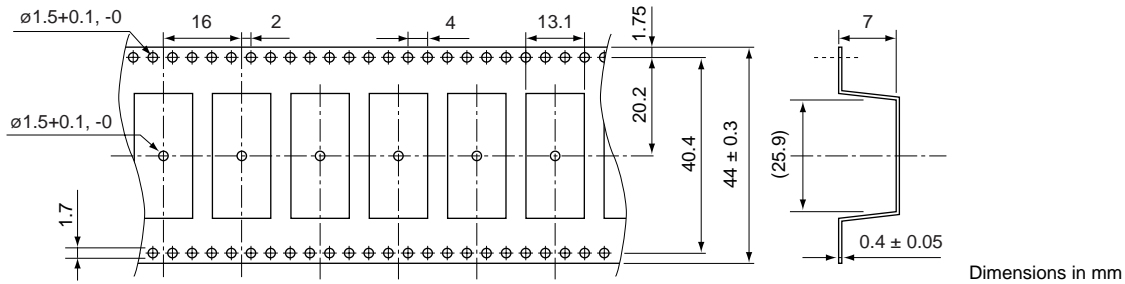
TLA-6T102/103/106/107/109/110/111/112/115/116/117/
118/119/120/121/122/124/401/402/403/404/405

TLA-6T103-T/106-T/107-T/109-T/110-T/111-T/112-T/115-T/116-T/117-T/124-T

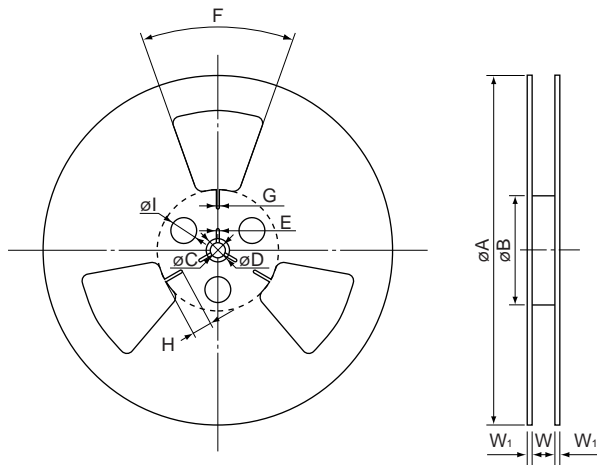
PACKAGING STYLES

Quantity : 500pieces/reel

TAPE DIMENSIONS



REEL DIMENSIONS

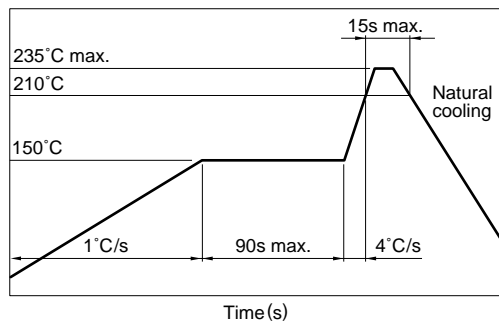


Dimensions in mm

A	B	C	D	E	F	G	H	I	W	W ₁
$\phi 330 \pm 0, -2$	$\phi 100 \pm 1, -0$	$\phi 13.5 \pm 0.2$	$\phi 21 \pm 0.8$	2 ± 0.5	$3-40^\circ$	2.5 ± 0.3	12 ± 0.3	$3-\phi 22 \pm 0.3$	45.5 ± 0.5	2

RECOMMENDED SOLDERING CONDITION

REFLOW SOLDERING



- Temperature is measured on the top of products body(Using thermocoupler for measurement).
- This profile is reference data we recommend. Please check in your actual process.

LONG TERM STORING CONDITION FOR TRANSFER MOLDED PRODUCTS WITH DRY PACKAGE

Each tape and reel is packaged by Anti-humid Al bag, in order to keep a good solder ability condition and soldering heat-resistant for the products. TLA-6T103-T/106-T/107-T/109-T/110-T/111-T/112-T/115-T/116-T/117-T/124-T are packaged in this way.

- Unless open the bag, the limit of storing is within 2 years.
- After opening the bag, the products should be soldered within 2 weeks.

The products should be stored in the atmosphere of +5 to +30°C and below 60% R.H.

LAN Components

10/100BASE-TX

Pulse Transformers

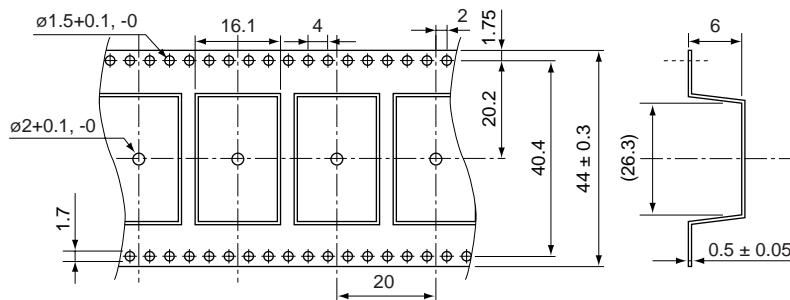
TLA-6T102/103/106/107/109/110/111/112/115/116/117/
118/119/120/121/122/124/401/402/403/404/405

TLA-6T401-T/402-T/403-T/404-T/405-T

PACKAGING STYLES

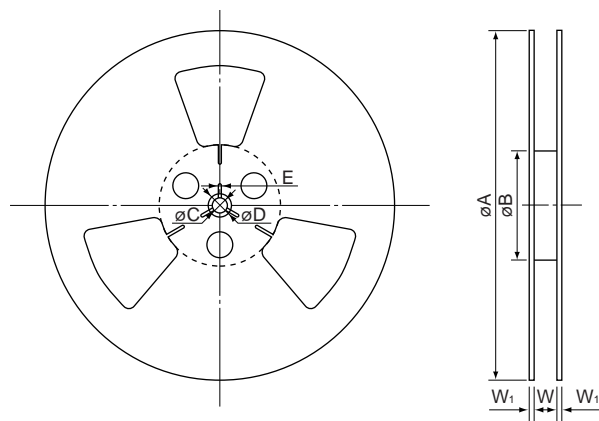
Quantity : 500pieces/reel

TAPE DIMENSIONS



Dimensions in mm

REEL DIMENSIONS

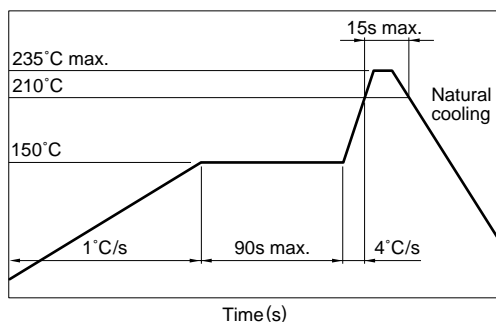


Dimensions in mm

A	B	C	D	E	W	W ₁
$\phi 330 \pm 1$	$\phi 100 \pm 1$	$\phi 13 \pm 0.2$	$\phi 21 \pm 0.8$	2 ± 0.5	$45 + 1.5, -0.5$	2.4 ± 0.3

RECOMMENDED SOLDERING CONDITION

REFLOW SOLDERING



- Temperature is measured on the top of products body(Using thermocoupler for measurement).
- This profile is reference data we recommend. Please check in your actual process.