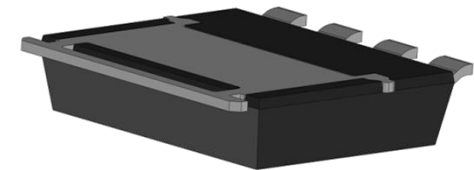
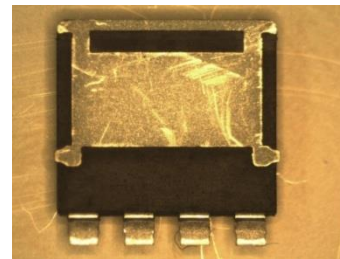
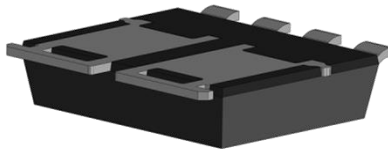
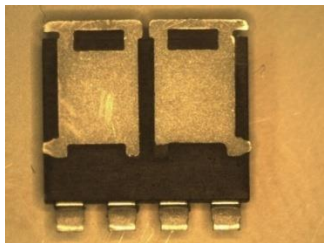
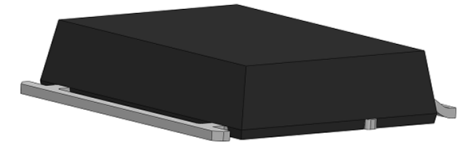
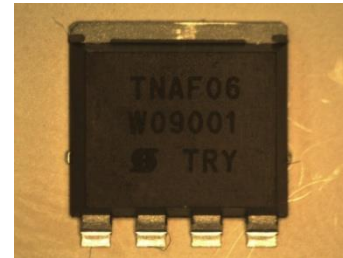
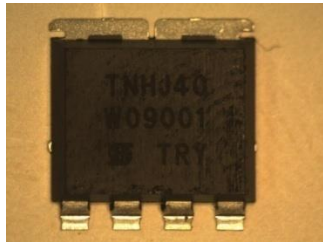




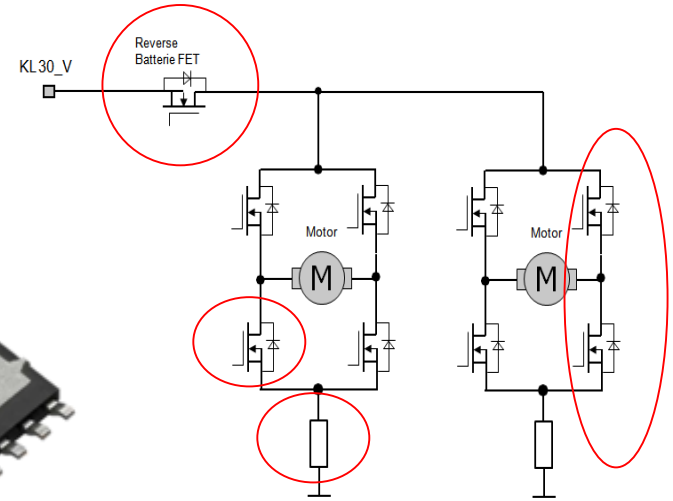
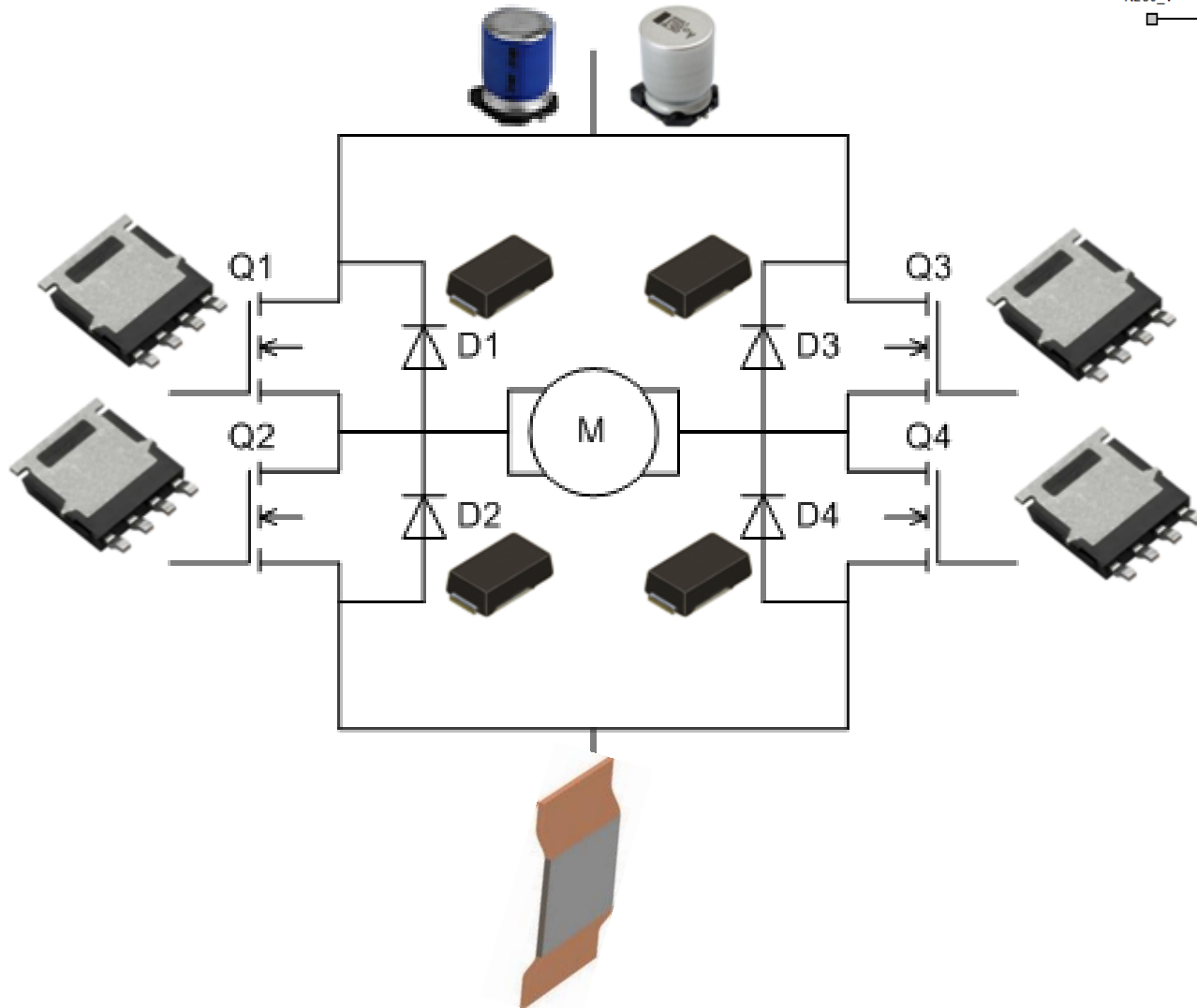
200A PPAK 8x8L Single and 100A Dual

- Package is 8mm x 8mm x 1.2mm
- 40V 300M cell Single (SQJQ402E) and Dual (SQJQ900E)
- Target is for D2PAK replacement and 2x DPAK replacement





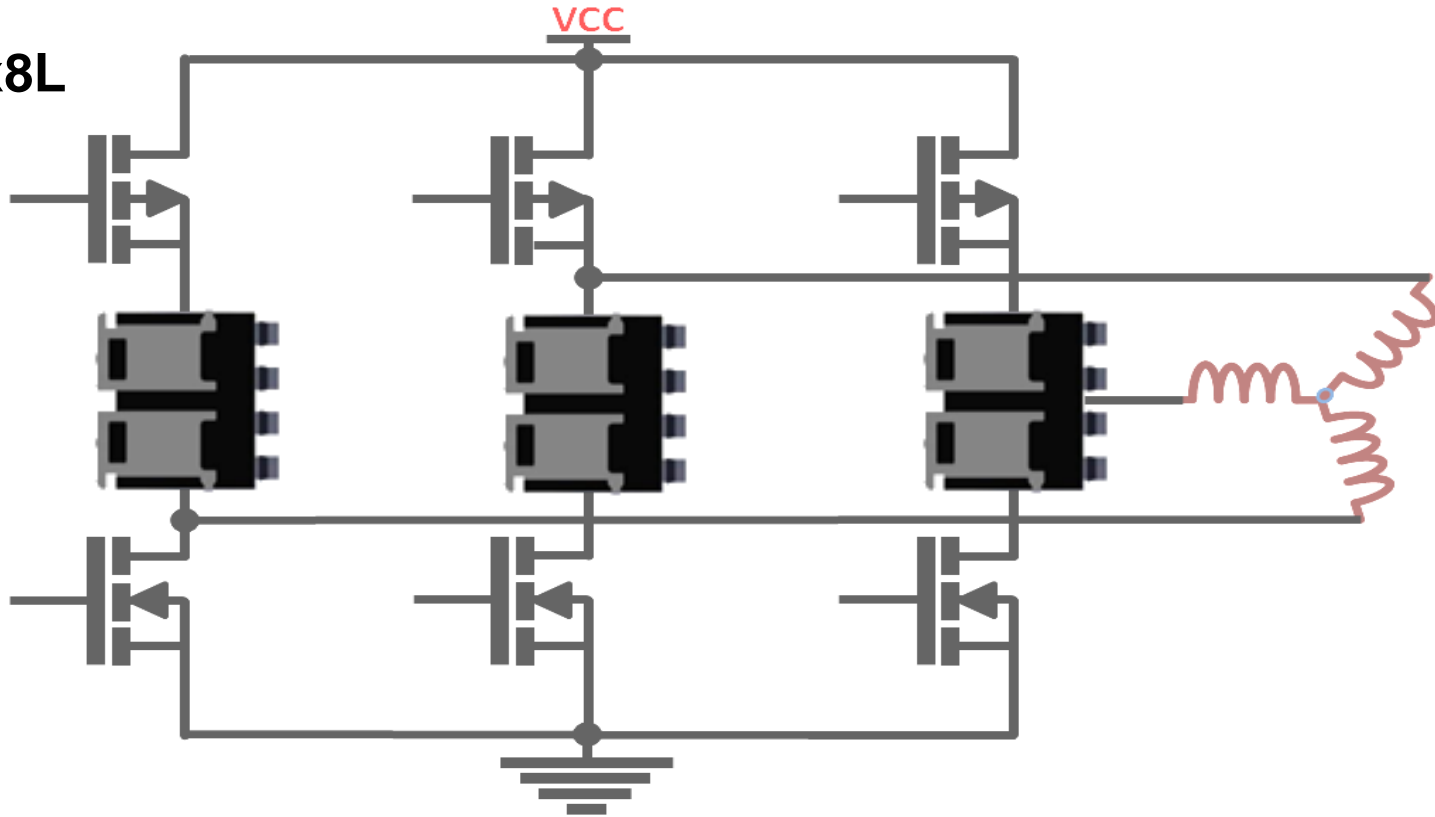
Motor Driver





HVAC TREND WITH BLDC MOTOR

3 x Dual PPAK8x8L
instead of
6 x TO-263



- DC brushed motor to BLDC motor - Efficiency improved up to 50%, much smaller heat sink
- Low-profile design




ACTIVE BATTERY BALANCING MOSFET SELECTION



PowerPAK[®] SO-8L Dual-N

- SQJ912AEP 40V 9.3m Ω
- SQJ952EP 60V 20.0m Ω
- SQJ956EP 60V 31.0m Ω



PowerPAK[®] 1212-8 Dual-N

- SQS944EN* 40V 30.0m Ω
- SQS966EN* 60V 45.0m Ω

(*Under development)



SO-8 Dual-N

- SQ4940AEY 40V 24.0m Ω

