

SBF0406EPL

· APPLICATIONDIGITAL CATV IF FILTER
 · CARRIER FREQUENCY 43.75 MHz

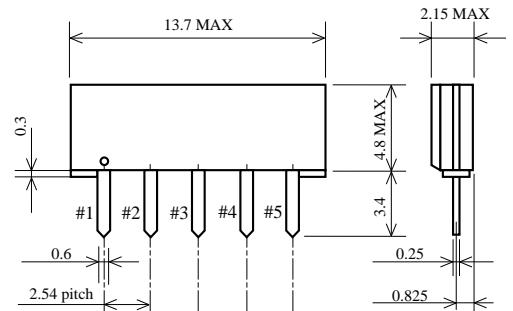
ELECTRICAL CHARACTERISTICS

Ta=25°C (45°C)

Parameters	Conditions	Min.	Typical	Max.	Unit
Center frequency		-	43.75	-	MHz
Insertion Loss	43.81(43.75) MHz	13.6	15.1	16.6	dB
Pass bandwidth	3 dB	-	6.0	-	MHz
	30 dB	-	7.5	-	MHz
Relative level	39.81 (39.75) MHz	-	-56	-37	dB
	40.31 (40.25) MHz	-	-14	-9	dB
	40.81 (40.75) MHz	-3.8	-2.6	-1.4	dB
	41.28 (41.22) MHz	-1.1	-0.1	0.9	dB
	43.81 (43.75) MHz	-	0(Ref.)	-	dB
	46.34 (46.28) MHz	-1.2	-0.2	0.8	dB
	46.81 (46.75) MHz	-4.2	-3.0	-1.8	dB
	47.31 (47.25) MHz	-	-15	-9	dB
	47.81 (47.75) MHz	-	-33	-29	dB
		35.06 to 39.31 (35.00 to 39.25) MHz	-	-42	-35
	48.31 to 55.06 (48.25 to 55.00) MHz	-	-40	-33	dB
Group delay ripple (p-p)	40.81 to 46.81 (40.75 to 46.75) MHz	-	55	-	ns
Capacitance	Ci (1.0 MHz)	-	16.7	-	pF
	Co (1.0 MHz)	-	4.8	-	pF
Temperature coefficient of frequency	Cf	-	-72	-	ppm/°C

PACKAGE DIMENSION

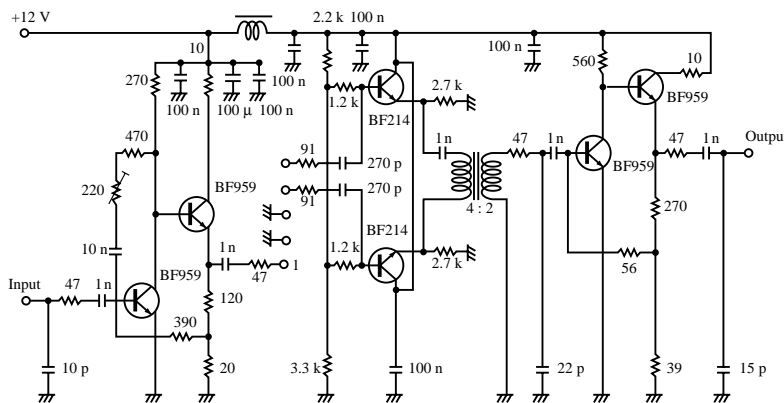
Unit : mm



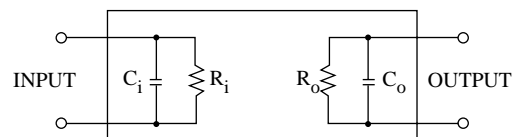
PIN CONNECTIONS

- Pin No.
 #1. INPUT
 #2. INPUT(GROUND)
 #3. GROUND
 #4. OUTPUT
 #5. OUTPUT

MEASUREMENT CIRCUIT



EQUIVALENT CIRCUIT



* The information contained herein is presented only as a guide for the applications of our products. No responsibility is assumed by Fujitsu Media Devices for any infringements of patents or other rights of the third parties which may result from its use. No license is granted by implication or otherwise under any patent or patent rights of Fujitsu Media Devices or others.
 * The information contained herein may be changed without prior notice. It is therefore advisable to contact Fujitsu Media Devices before proceeding with the design of equipment incorporating this product.

FREQUENCY CHARACTERISTICS

